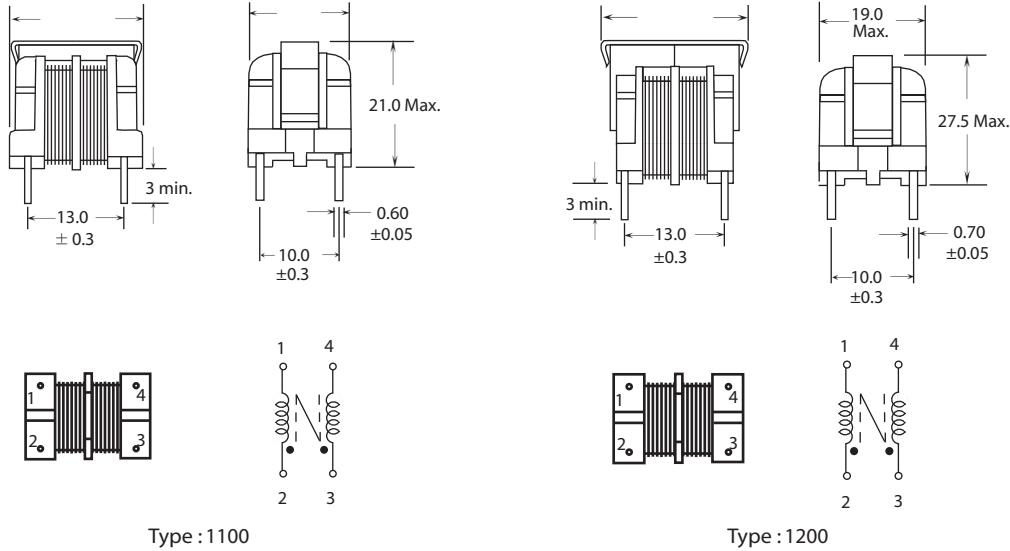


Mechanical Specification

RoHS
COMPLIANT



Dimensions: mm

Special Features

- Reduces conductive EMI emission
- High inductance, compact size
- High attenuation at low frequency
- Rated voltage: 250VAC
- Dielectric strength: 3750Vrms
- VW-1 rated plastic bobbin
- Operating temperature: -55°C - +105°C

Typical Applications

- Line filter for switch mode power supplies
- Desktop computers
- TV, VCR, DVD and audio equipment
- Battery chargers
- Office equipment
- Industrial electronics
- EMI filters

Notes

- * Rated Idc causes a 35°C temperature rise

Electrical Specification

VV-1100 SERIES				VV-1200 SERIES			
Part Number	L(mH) Min. @1KHz	DCR (Ω) Max.	IDC* Max.	Part Number	L(mH) Min. @1KHz	DCR (Ω) Max.	IDC* Max.
VV-1101	0.6	0.046	2.8	VV-1201	0.6	0.025	4.4
VV-1102	1.0	0.049	2.4	VV-1202	1.0	0.033	3.6
VV-1103	2.0	0.11	1.8	VV-1203	2.0	0.058	2.9
VV-1104	5.0	0.28	1.1	VV-1204	5.0	0.10	2.3
VV-1105	8.0	0.44	0.9	VV-1205	8.0	0.20	1.6
VV-1106	10.0	0.50	0.8	VV-1206	10.0	0.22	1.5
VV-1107	20.0	1.11	0.6	VV-1207	20.0	0.49	1.0
VV-1108	30.0	1.73	0.5	VV-1208	30.0	0.76	0.8
VV-1109	45.0	2.68	0.4	VV-1209	45.0	1.18	0.7